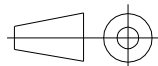
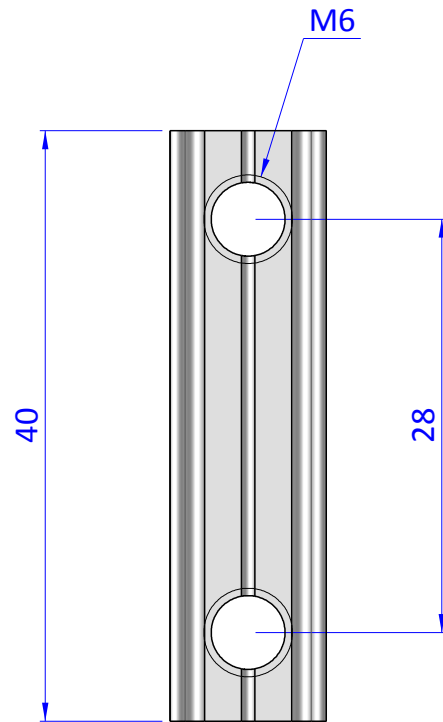
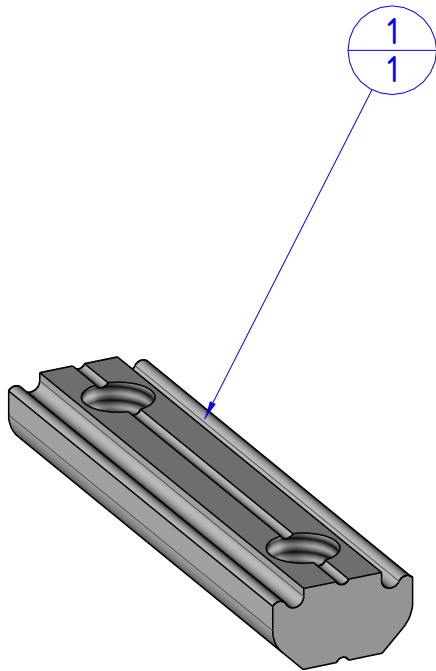
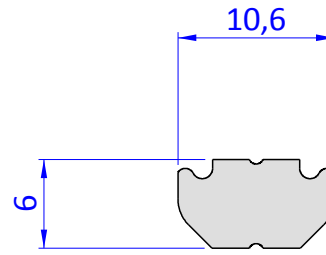


THE PROPERTY OF THE DRAWING IS ESTABLISHED BY LAW. IT IS FORBIDDEN TO PRODUCE OR SHOW IT TO THIRD PART. WITHOUT A WRITTEN AGREEMENT.

| Item | Name     | Q.ty |
|------|----------|------|
| 1    | GWP.6.28 | 1    |



|                                     |                          |                        |
|-------------------------------------|--------------------------|------------------------|
| DESIGNED FROM<br><b>FP SERVICES</b> |                          | REVIEW<br><b>A / 1</b> |
| DATE<br><b>15/10/2018</b>           | WEIGHT<br><b>0,015kg</b> |                        |
| CODE<br><b>CA.GWP.6.28</b>          |                          |                        |

Format **A4**  
**UNI 936-76**

GENERAL TOLERANCE  
UNI - ISO 2768  
CLASSE **f**

DESCRIPTION  
**CA.GWP.6.28**